

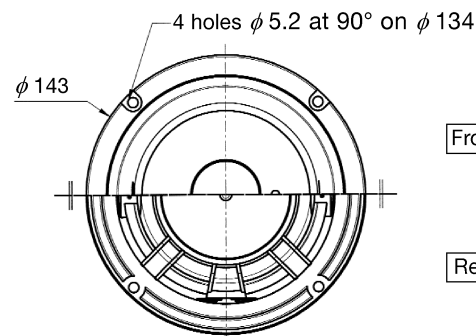
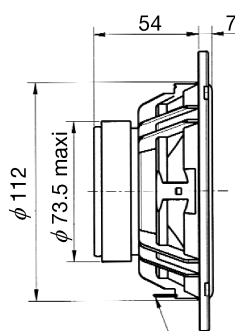
BASS MIDRANGE

HP130Z0 W08ZGP2511
102080K

102079S

Dec .98

5^{1/4}" HDA cone driver High impact polymer chassis



Front

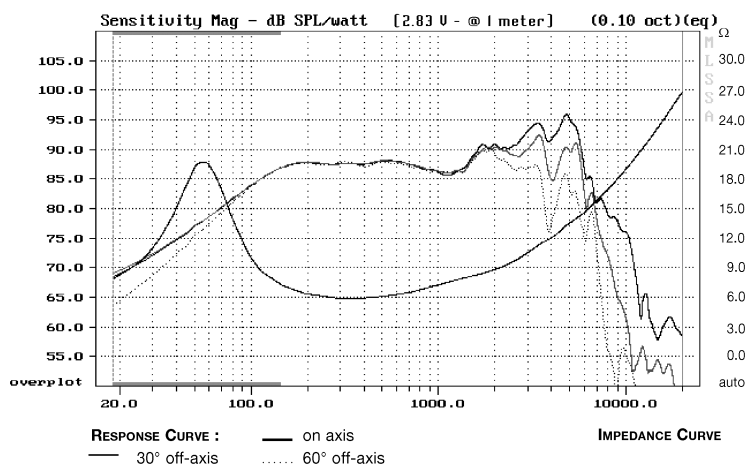
Rear

2 terminals 2.8 x 0.8 \ominus and 4.8 x 0.8 \oplus

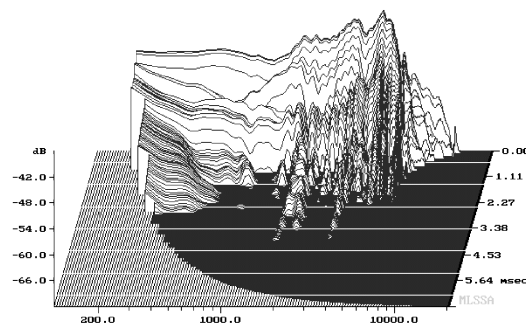
All dimensions in mm

- HDA (High Definition Aerogel) cone
- Non resonant high impact polymer chassis
- High loss rubber surround
- Built in cosmetic ring designed for front-rear and recessed mounting
- High temperature voice coil
- Aluminium former

Response Curve



Waterfall



Cumulative Spectral Decay

Log Frequency - Hz

SPECIFICATIONS

Technical characteristics	Symbol	Value	Units
PRIMARY APPLICATION			
Nominal Impedance	Z	6	Ω
Resonance Frequency	Fs	56,1	Hz
Nominal Power Handling	P	40	W
Sensitivity (2,83 V - 1m)	E	87,7	dB
VOICE COIL			
Voice Coil Diameter	ϕ	25	mm
Minimum Impedance	Zmin	6	Ω
DC Resistance	Dcr	5,2	Ω
Voice Coil Inductance	Lbm	0,43	mH
Voice Coil Length	h	10	mm
Former	-	Aluminium	-
Number of Layers	n	2	-
Wire type	-	round	-

MAGNET

Magnet Dimensions	ϕ x h	72 x 15	mm
Magnet Weight	m	0,245	kg
Flux Density	B	1	T
Force Factor	BL	5,02	NA ⁻¹
Height of Magnetic Gap	He	4	mm
Stray Flux	Fmag	-	Am ⁻¹
Linear Excursion	Xmax	\pm 3	mm

PARAMETERS

Suspension Compliance	Cms	1154	μ m/N
Mechanical Q Factor	Qms	1,46	-
Electrical Q Factor	Qes	0,51	-
Total Q Factor	Qts	0,38	-
Mechanical Resistance	Rms	1,68	kg s ⁻¹
Moving Mass	Mms	6,99	g
Effective Piston Area	S	83,32	cm ²
Volume Equivalent of Air at Cas	Vas	11,25	liters

Suggested Applications

Vb	Fb	Dp	Lp	F-3
liters	Hz	cm	cm	Hz
8	60,8	3	5	63,8
10	61,1	3	3,5	58,8