

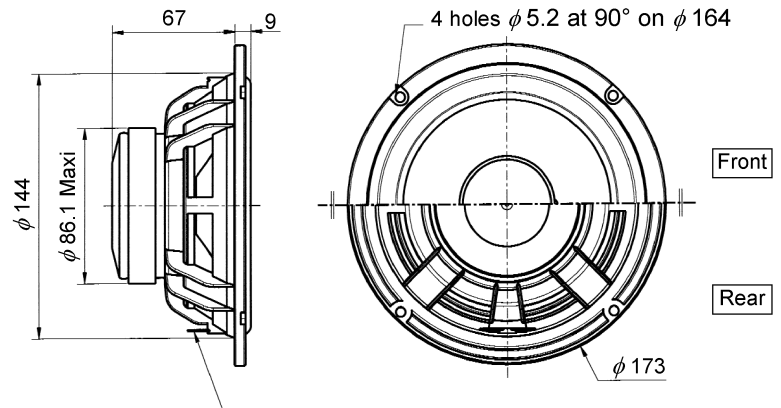
BASS MIDRANGE

102088S

HP170Z2 W08ZGT3011
102005H

Octob.98

6^{1/2}" HDA cone driver High impact polymer chassis

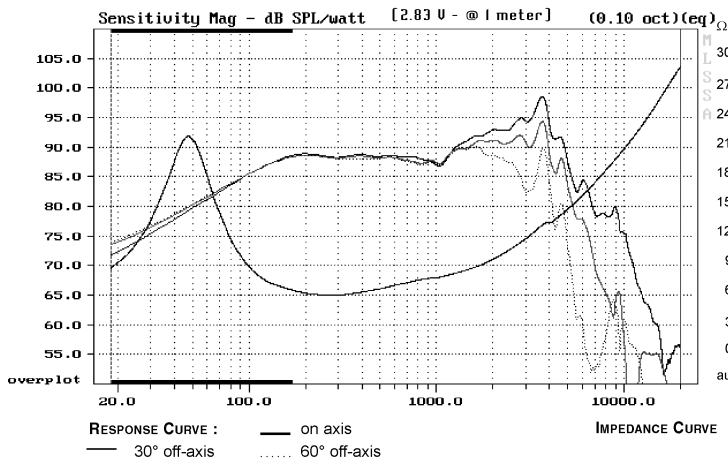


All dimensions in mm

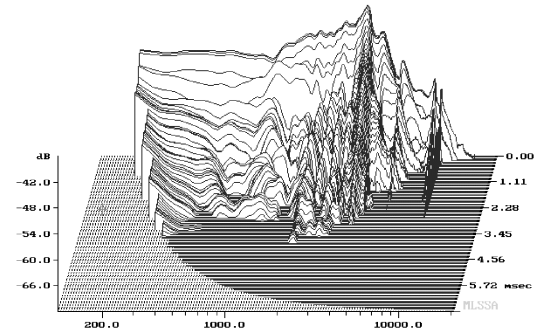
2 terminals $2.8 \times 0.8 \ominus$ and $4.8 \times 0.8 \oplus$

- HDA (High Definition Aerogel) cone
- Non resonant high impact polymer chassis
- High loss rubber surround
- Built in cosmetic ring designed for front-rear and recessed mounting
- High temperature voice coil
- Aluminium former

Response Curve



Waterfall



SPECIFICATIONS

Technical characteristics	Symbol	Value	Units
PRIMARY APPLICATION			
Nominal Impedance	Z	8	Ω
Resonance Frequency	Fs	48	Hz
Nominal Power Handling	P	60	W
Sensitivity (2,83 V - 1m)	E	89,4	dB
VOICE COIL			
Voice Coil Diameter	ϕ	30	mm
Minimum Impedance	Zmin	6	Ω
DC Resistance	Dcr	5,3	Ω
Voice Coil Inductance	Lbm	0,74	mH
Voice Coil Length	h	12	mm
Former	-	Aluminium	-
Number of Layers	n	2	-
Wire type	-	round	-

MAGNET

Magnet Dimensions	$\phi \times h$	84 x 15	mm
Magnet Weight	m	0,31	kg
Flux Density	B	1	T
Force Factor	BL	5,98	NA ⁻¹
Height of Magnetic Gap	He	5	mm
Stray Flux	Fmag	-	Am ⁻¹
Linear Excursion	Xmax	$\pm 3,5$	mm

PARAMETERS

Suspension Compliance	Cms	1012	$\mu\text{m/N}$
Mechanical Q Factor	Qms	1,63	-
Electrical Q Factor	Qes	0,48	-
Total Q Factor	Qts	0,37	-
Mechanical Resistance	Rms	2,00	kg s ⁻¹
Moving Mass	Mms	10,85	g
Effective Piston Area	S	132,73	cm ²
Volume Equivalent of Air at Cas	Vas	25,03	liters

Suggested Applications

Vb	Fb	Dp	Lp	F-3
liters	Hz	cm	cm	Hz
15	54,0	6	15	57,7
20	54,3	6	10	52,2